



COOKER/WARMERS

<u>SPC</u>	<u>APN</u>	<u>SPC</u>	<u>APN</u>
833789	7206766	834382	5231022
841420	1344381		



SPC: 834382
APN: 5231022



SPC: 833789 APN: 7206766 with
Shown with optional
SPC: 834593 APN: 1333012 Pan Kit



SPC: 841420
APN: 1344381
*Inset Pans (not included)

* See page 2 for Pan Kits and
Inset Pans



Made in the U.S.A.



SPECIFICATIONS/FEATURES

Construction

- Exterior constructed with heavy duty stainless steel for excellent durability.
- Steel "element support" stabilizes heating elements and reflects heat toward food.
- Inside liner formed out of tough stainless steel.
- Stainless steel housing and liner pan.
- Provided with fiberglass insulation to protect interior parts and countertops from heat build-up. Insulated on sides and bottom.
- Raised liner edge (marine lip) prevents outside condensation on round units.
- Easy to clean.
- Heavy duty wiring extends element life.
- Knob guard protect control on **SPC: 841420 APN: 1344381**.

Elements

- **SPC: 841420 APN: 1344381** Has unique "serpentine shaped" heating elements that evenly distribute heat throughout the unit.
- **SPC: 834382 APN: 5231022** and **SPC: 833789 APN: 7206766** Electric low watt density heating elements that evenly distributes heat throughout the unit.
- Thermostatically controlled heat can reach temperatures up to 350° on round units. All models have a 10 setting thermostat.
- Units are designed with high wattage systems that generate faster start-ups to the required temperatures.

Capacity

- **SPC: 834382 APN: 5231022** - 7 Quart.
- **SPC: 833789 APN: 7206766** - 11 Quart.
- **SPC: 841420 APN: 1344381** - 22 Quart.
- Pans, adapter plates and insets available separately.

Applications for Cooker/Warmers

- Wet usage 100°F to 212°F (38°C to 100°C) recommended on **SPC: 841420 APN: 1344381**.
- Wet or dry operation on **SPC: 834382 APN: 5231022** and **SPC: 833789 APN: 7206766**.
- Cooker/Warmers are ideal for thawing frozen soups and holding the thawed soup at NSF-safe serving temperatures.
- Designed to cook and hold pre-cooked foods from frozen state.
- Perfect for soups, chilies, and other dishes that need a quick thaw during the cooking cycles and a gentle warming heat for serving.
- Designed to take precooked product from a refrigerated state to serving temperature. NSF guidelines state cookers must take a 40°F product to 140°F in forty minutes or less.
- All commercial cooker/warmers are designed to be used with a stainless steel inset pan.

Also Available: Warmers

- Designed to hold product that has already been brought to serving temperature.
- Warmers will maintain proper serving temperature.
- All commercial warmers are designed to be used with a stainless steel insert pan.

Electrical Information

- Each unit is equipped with a 60" three-wire grounded power cord which terminates with a standard three-prong male plug.
- 120V, 1 phase units include a cord with NEMA 5-15P plug.
- Watts vary by model, see rough-in data chart.

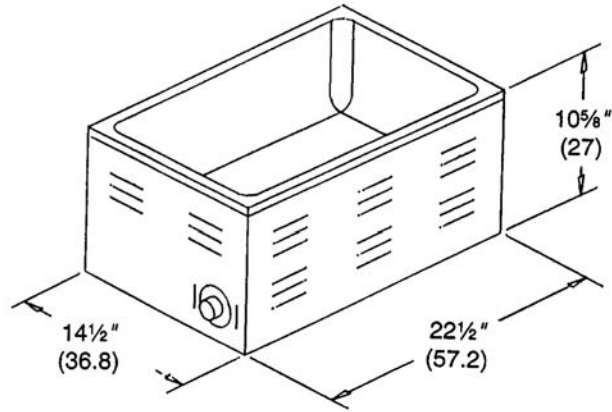
Warranty (USA)

- 1 Year parts and labor warranty.

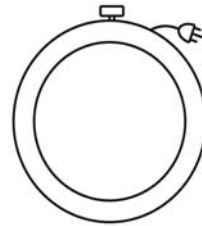
Specifications subject to change without notice.



COOKER/WARMERS



SPC: 841420 APN: 1344381

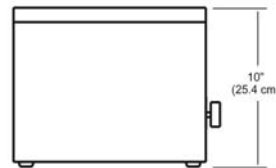


SPC: 834382 APN: 5231022

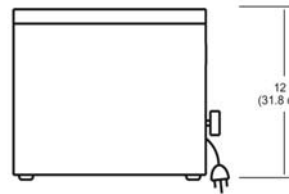
10 1/2" (26.7) Top View

12 1/2" (31.8)

SPC: 834789 APN: 7206766



Side View
SPC: 834382 APN: 5231022



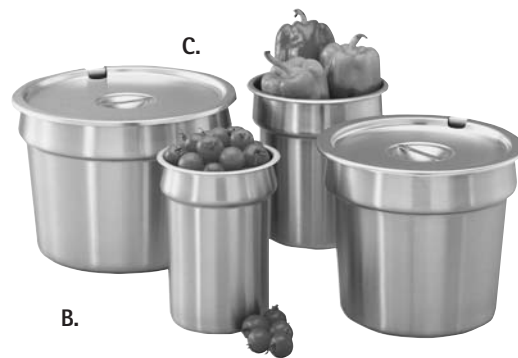
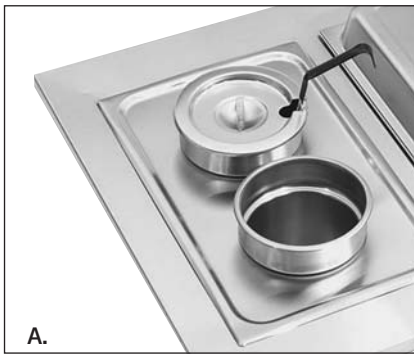
Side View
SPC: 834789 APN: 7206766

(Centimeters in Parenthesis)

ROUGH-IN DATA

SPC	APN	Capacity	Dimensions	Volts	Phase	Watts	Amps	NEMA Config.	Cord Length	Crated Weight
834382	5231022	7 Qt. (6.6L)	10 1/2" Dia. x 10"H	120	1	1000	8.3	5-15	5'	10 lbs.
833789	7206766	11 Qt. (10.4L)	12 1/2" Dia. x 10"H	120	1	1200	10.0	5-15	5'	12 lbs.
841420	1344381	22 Qt. (21L)	14 1/2"W x 22 1/2"D x 10 5/8"H	120	1	1500	12.5	5-15	5'	29 lbs.

Made exclusively for Next Day Gourmet® by APW Wyott.



OPTIONAL ACCESSORIES

A. Stainless Adapter Plates

20 1/2" X 12 3/16". Insets not included.

SPC	APN	Description
807153	1105618	(2) 6 3/8" Inset holes holds, (2) 4 qt. insets
808102	1331057	(2) 8 3/8" inset holes

Pan Kits

834592	9333006	For 7 qt. cooker/warmer or use with adapter plate for 7 qt. inset. Consists of 7 qt. inset, hinged cover and 806106 3329612 6 oz. ladle.
834593	1333012	For 11 qt. cooker/warmer consists of 11 qt. inset, hinged cover and 806106 3329612 6 oz. ladle.

B. Stainless Steel Inset Pans

SPC	APN	Description
800419	9026162	2 1/2 Qt., 5" opening
800423	2189652	4 Qt., 6 1/2" opening
800427	6046250	7 Qt., 8 1/2" opening
800431	5026208	11 Qt., 10 1/2" opening
Other Pans		
802223	6318661	Full Size Pan, 4" deep
802240	8316911	Half Size Pan, 4" deep
802261	8333080	Third Size Pan, 4" deep
D. Hinged Cover for Inset Pans		
805917	6331037	7 Qt.
805620	7331036	11 Qt.

C. Slotted Covers

SPC	APN	Description
800421	1301324	
800425	3316668	
800429	5246269	
800433	9026113	
802288	1333137	
802291	2323293	
802294	4333134	