



BACK BAR STORAGE COOLERS



SPC: 870979
APN: 5344791

SPC	APN
870979	5344791
870904	2344786
870903	1344787

SPECIFICATIONS/FEATURES

Construction

- Exterior: Durable, non-peel or chip black laminated vinyl exterior.
- Interior: 300 Series stainless steel floor with 1/2" lip and heavy galvanized steel walls.
- Bright fluorescent interior lighting for excellent visibility.
- All models 27" deep and 37" high.
- Entire cabinet structure and doors insulated using foamed-in-place CFC-free polyurethane foam.
- Tops: Heavy gauge stainless steel countertops. Versatile flat top slides easily under bar or can be used as a counter/storage space.
- NSF-7 approved for pre-packaged and bottled product.

Doors

- Positive seal doors. Door gaskets of one piece construction, and removable for ease in cleaning.
- Doors include 12" long horizontal recessed handle with sheetmetal interlock. Handles foamed-in-place to insure permanent attachment.
- Door locks are standard.
- Two adjustable, 10 mil thick, pure grade Black vinyl coated wire shelves per door.

Refrigeration System

- Self contained system.
- Refrigeration system factory balanced using environmental friendly CFC-free R134a refrigerant.
- Factory pre-engineered capillary tube system with oversized condenser and evaporator to reduce product pull down time and to consistently maintain 32° to 38°F interior cabinet temperature (non-adjustable capillary tube system superior to problematic expansion valve).
- Evaporator - epoxy coated at the time of manufacture to eliminate the potential of corrosion.
- Energy efficient - no heater wires or electric condensate pans are required that offset refrigeration.
- Air vents on side to maximize flow of fresh air through condenser.
- Slide out condensing unit can be serviced easily and accessed by a single repairperson.
- Simple plug in installation.
- Quick pull down of hot 90°F products to cold 32° to 38°F temperatures.

Electrical Characteristics

- Unit completely pre-wired at factory, and ready for final connection to a 120/60/1 phase - 15 amp dedicated outlet. A cord and plug set to be included.
- A sole use circuit is required.

Warranty (USA)

- 1 Year parts and labor warranty.
- 5 Years compressor warranty.

Specifications subject to change without notice.



SUPERIOR WARRANTY
1 YEAR LABOR
1 YEAR PARTS
5 YEAR
COMPRESSOR

Superior
REFRIGERATION
Products are
Certified to
NSF Standard

7



Made in the U.S.A.



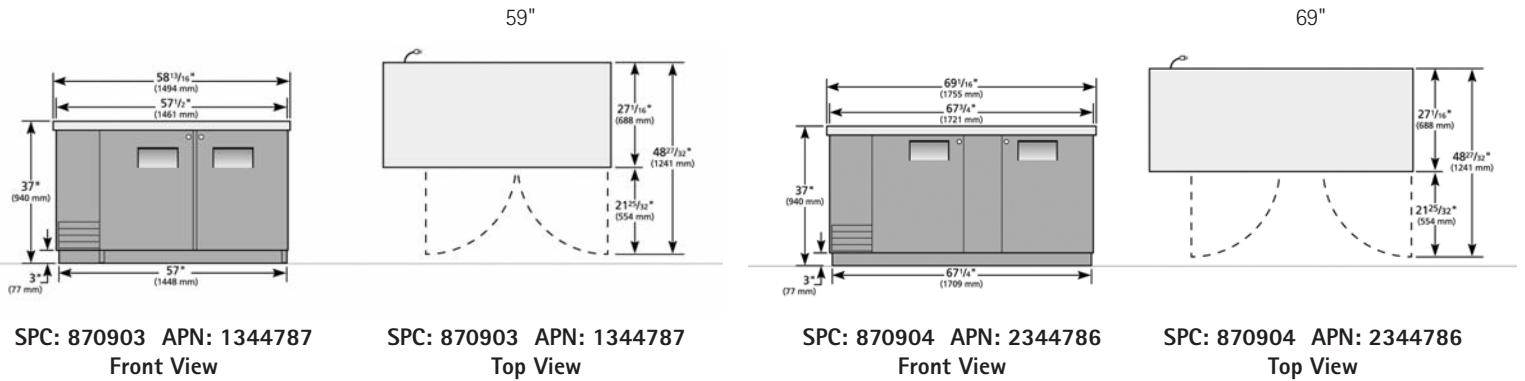
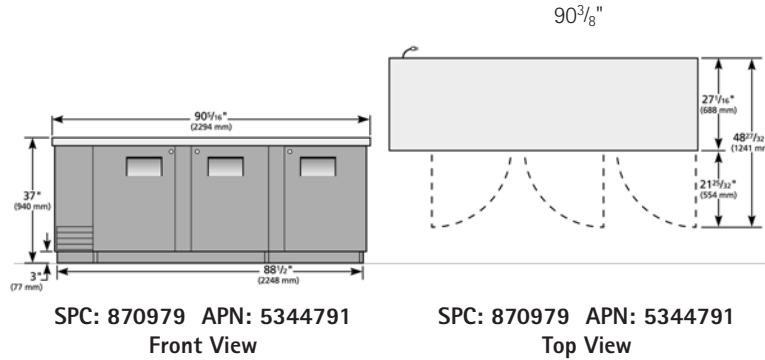
SPC: 870904
APN: 2344786



SPC: 870903
APN: 1344787



BACK BAR STORAGE COOLERS



ROUGH-IN DATA

SPC	APN	Half Doors	12 oz. Barrels	Dimensions Cans	W x D x H	H.P.	Volts	Phase	NEMA Amps	Cord Config.	Crated Length	Weight
870903	1344787	2	2	134 6-packs	58 ¹ / ₈ " x 27 ¹ / ₈ " x 37"	1/3	120	1	8.5	5-15	7'	325
870904	2344786	2	3	161 6-packs	69 ¹ / ₈ " x 27 ¹ / ₈ " x 37"	1/3	120	1	8.5	5-15	7'	365
870979	5344791	3	4	209 6-packs	90 ³ / ₈ " x 27 ¹ / ₈ " x 37"	1/3	120	1	8.5	5-15	7'	460

Clearance required for coolers (USA): sides - 2"/50mm, top - N/A, rear - 2"/50mm

Easy to install. No plumbing required. Cord and plug provided.
Made exclusively for Next Day Gourmet® by True Mfg.

OPTIONAL ACCESSORIES

4" Caster Sets

SPC: 801278 APN: 5181508 Set of four 4" casters with frames for 59" and 69" models

SPC: 127277

Set of six 4" casters with frame for 90" models

2 1/2" Caster Sets

(T-880201) Set of four for 59" and 69" models

(T-880202) Set of four for 90" models

Extra Shelves with Shelf Clips (set of 4)

SPC: 036394 APN: 0181065 (T-875365)

32"W x 21 1/4"D Black wire shelf, left side

(870903, 870904, 870979)

SPC: 036394 APN: 0181065 (T-875366)

20 3/4"W x 21 1/4"D Black wire shelf, right side

(870903, 870979)

SPC: 036394 APN: 0181065 (T-875367)

31 3/4"W x 21 1/4"D Black wire shelf right side

(870904), center shelf (870979)

Shelf Clips

SPC: 010696 APN: 6545750 Shelf clips set of 4

ALSO AVAILABLE

- Stainless steel exterior back bar storage coolers
- Glass door back bar storage coolers

- Stainless steel exterior, glass door back bar storage coolers
- 24" Back bar coolers

- Pass-thru models